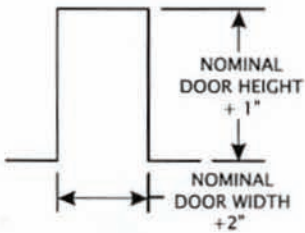
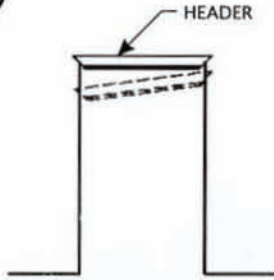
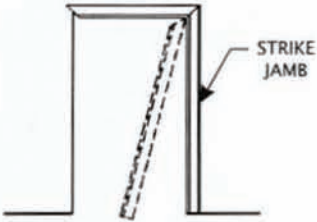
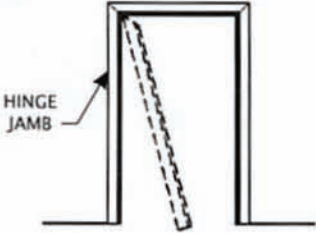
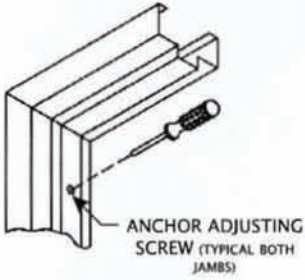
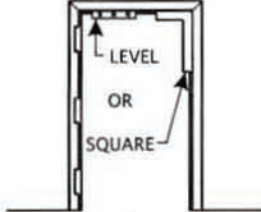
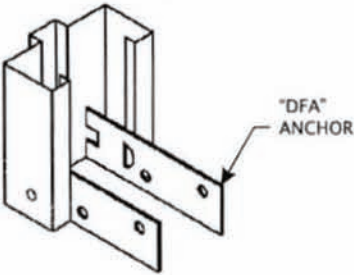


REDIFRAME®

Hollow Metal Installation Guide

<p>①</p>  <p>ADD TO DOOR OPENING DIMENSIONS: 2" TO WIDTH AND 1" TO HEIGHT. FOR A 3068 DOOR FRAME, THE ROUGH OPENING IS 38" X 81".</p>	<p>②</p>  <p>INSTALL HEADER INTO POSITION APPROX. 1" FROM TOP AND IN THE CENTER OF THE ROUGH OPENING.</p>	<p>③</p>  <p>INSTALL STRIKE JAMB BY SLIDING OVER WALL AT TOP AND ENGAGING CORNER REINFORCING INTO HEADER. PIVOT JAMB INTO PLACE.</p>
<p>④</p>  <p>REPEAT STEP #3 WITH HINGE JAMB. PULL HEADER DOWN TIGHTLY ONTO JAMBS. LOCK HEADER AND JAMB TOGETHER BY BENDING OVER EXPOSED TABS.</p>	<p>⑤</p>  <p>TURN ADJUSTING SCREWS IN BOTH JAMBS COUNTERCLOCKWISE UNTIL ANCHOR IS RESTING AGAINST THE WALL.</p>	<p>⑥</p>  <p>IF FEASIBLE, HANG DOOR NOW AND ADJUST FRAME ON WALL TO ALLOW PROPER DOOR/FRAME CLEARANCES OR PLUMB FRAME WITH CARPENTER SQUARE AND/OR LEVEL. (ADJUST HEADER LEVELNESS BY SHIMMING UNDER JAMBS.)</p>
<p>⑦</p>  <p>CHECK DOOR OPENING DIMENSION AT BASE OF FRAME (SAME DIMENSION AS BETWEEN JAMBS AT HEADER.) SECURE JAMBS</p>		

How to Install a Hollow Metal Door Frame in an Existing Masonry Wall

1. Measure the outside of the frame.
2. Measure the opening to verify it is the correct size.
3. Check the sides of the opening to ensure they are plumb.
4. Mark plumb lines on the face of the sides of the rough opening.
5. Check the top of the opening and the floor to make sure they are level.
6. When using a knock down frame lay the complete frame unit out fit the parts together and bend the taps to hold them in place.
7. If a welded frame is being used remove the shipping bars.
8. Set the frame in the opening.
9. Use a level and straight edge to determine the high side of the floor.
10. Shim the low side until the head jamb is level.
11. Drill in masonry for anchors.
12. Using shims were required plumb the hinge jamb and fasten it to the wall.
13. Using shims were required plumb the strike jamb and fasten it to the wall.
Check the width of the frame at the bottom and the middle to make sure the proper size is being maintained for the door.