

**INSTALLATION QUESTIONS OR MISSING PARTS?  
DO NOT RETURN THIS DOOR TO THE STORE**

Thank you for purchasing this Slimfold product. We take pride in the products we manufacture and are confident you will be pleased with your selection. If you have questions or are missing component parts necessary to complete the installation, **do not return the door to the place of purchase**. Give us a call first. More than likely, we can solve the problem without the hassle and expense of returning the door to the store.

**Call Customer Service: 1-800-633-7553 from 8:00 a.m. to 5:00 p.m. CST, Monday through Friday.**

**PLEASE FOLLOW ALL INSTRUCTIONS AND ALWAYS USE PROTECTIVE EYEWEAR WHEN INSTALLING A DOOR SYSTEM. PLEASE READ INSTRUCTIONS COMPLETELY.**

1101 Technology Drive | Dothan, Alabama 36303  
**800.633.7553** | 334.794.9184 fax  
 www.dunbarton.com | sales@dunbarton.com



**Scan to go directly to Installation Videos Web Page.**

# BEFORE YOU BEGIN

PLEASE FOLLOW ALL INSTRUCTIONS AND ALWAYS USE PROTECTIVE EYEWEAR WHEN INSTALLING A DOOR SYSTEM. PLEASE READ INSTRUCTIONS COMPLETELY.

## Assemble Tools

- Safety glasses
- Phillips head screwdriver
- Straight head screwdriver
- Level
- Tape Measure
- Power drill or screw gun
- 3/16"(5) drill bit

## Measure Opening

Measure the Finished Opening Size; refer to Specifications below to insure proper door size (FIGURE 1).

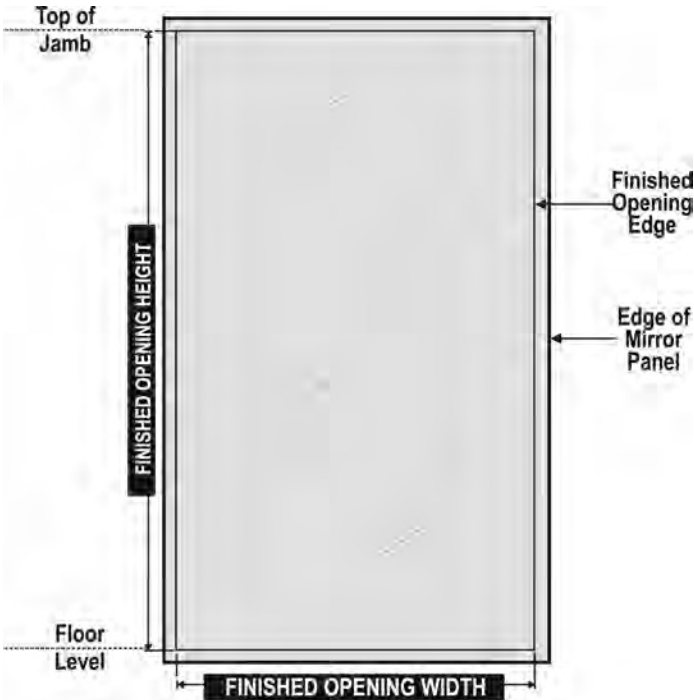


FIGURE 1

## Specifications

### STANDARD SIZES—ONE PANEL ONLY

Opening	Door Width	DISTANCE BETWEEN CUT MOLDINGS	FINISHED OPNG. HEIGHT
2'0" (610)	28 1/2" (724)	28 3/8" (721)	6'8" Units
2'6" (762)	34 1/2" (877)	34 3/8" (874)	80 1/2" (2045)
3'0" (914)	40 1/2" (1029)	40 3/8" (1026)	+1 1/2" (+38)

Finished Opening Width Tolerance: +1"/-3" (+25/-76)

SPECIAL SIZES: Distance between cut molding edges is door width minus 1/8"(3).

All increments shown in parenthesis are metric (millimeter) unless otherwise indicated. Non-standard sizes available; check with your dealer for sizes and availability.

# INSTALLATION

## 1. Remove Door from Packing Material

Carefully open the door package. The 4100 mirror overlay comes completely assembled, ready for installation.

## CROSS SECTION DETAIL

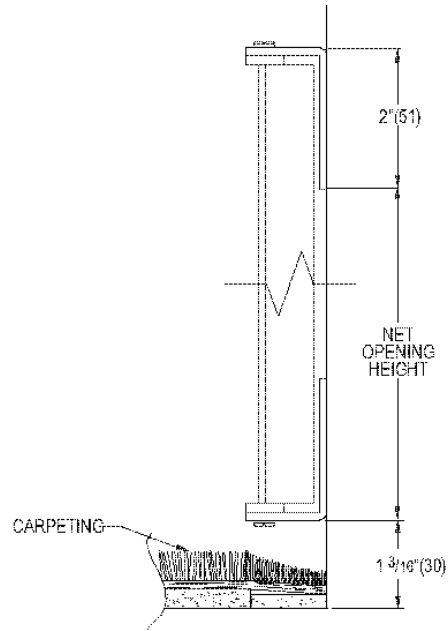


FIGURE 2

## 2. Trim Base Moldings

Cut the molding 2 1/16"(52) from door opening on the pivot side of door. Referring to chart to left, measure proper distance from cut molding edge to other side of opening and trim molding (Note Figure 2). (See Specifications chart.)

## 3. Attach Pivot Bushing

Locate 4111 nylon pivot bushing at each end of stile that will become the pivoting side of door (Figure 3) and attach using the included eight, 1"(25) pan head Phillips screws.

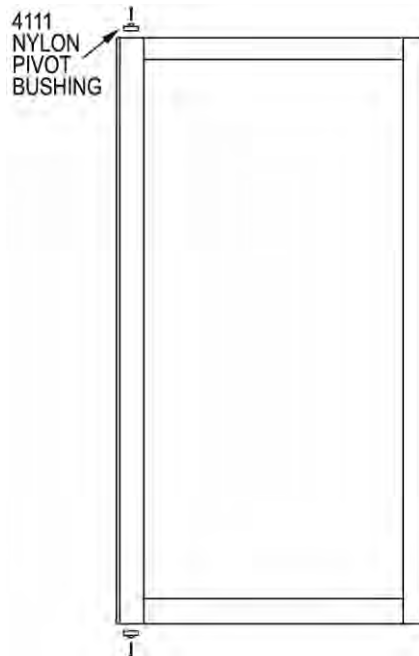


FIGURE 3

#### 4. Mount Brackets

Mount 4110-1/4110-2 pivot bracket to bottom face of wall using the included three 1 1/4"(32) flat head Phillips screws. Bracket is left and right handed, so select leaf with pivot hole away from opening. Other bracket will be used at top. Bottom of bracket should be located 5/8"(16) from edge of opening (Figure ). [This will allow bracket to clear 1/2"(13) dry wall and secure into stud.]

#### 5. Locate/Adjust Top Pivot Bracket

Locate top pivot bracket 5/8"(16) from edge of opening with center slot at point according to following formula: finished door height  $-3/16"(5) \pm 1/16"(2)$ . Check for plumb and adjust if top and bottom brackets are not plumb. Screw top pivot bracket to wall through center slot only, but do not tighten yet (Figure 4).

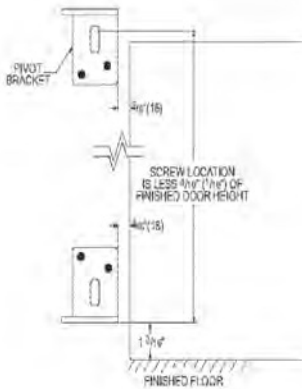


FIGURE 4

#### 6. Lift Door Into Opening

Lift door onto bottom pivot bracket, so pivot bushing on door seals into pivot bracket hole. While holding door with one hand, use other hand to slide top pivot bracket upwards in slot. Position top pivot under pivot hole in the top bracket and lower bracket onto the pivot bushing. Open door and fasten loose screw, then install and secure remaining six 1 1/2"(38) flat head screws into the holes *toward* opening only (Figure 5).

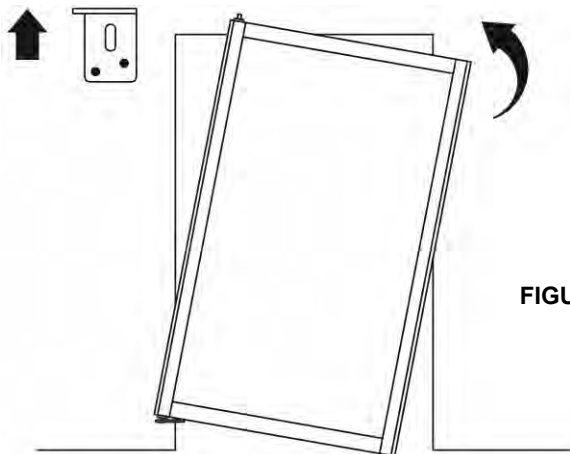


FIGURE 5

#### 7. Install Catch

Attach 4115 magnetic catch inside the front edge of the opening approximately 40" from the floor using the included six 3/4"(19) screws (Figure 6). Leave the screws loose to permit final adjustment of the catch. Drill a 1/8"(3) diameter hole in the center of dust seal channel and in line with the center of the magnetic catch. Clean the area of the mirror backing that the strike will contact with Isopropyl Rubbing Alcohol. Apply double back tape to the flat end of the strike plate that contacts the back of the mirror (Figure 7).

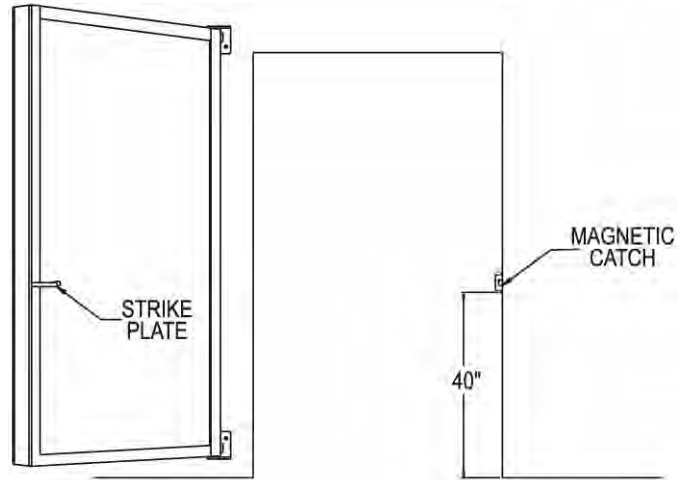


FIGURE 6

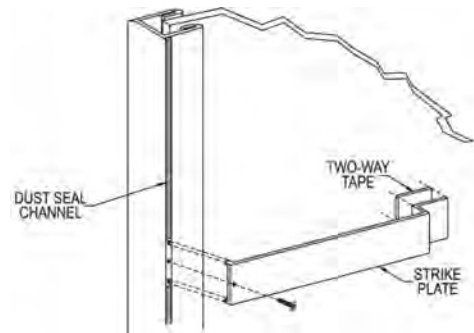
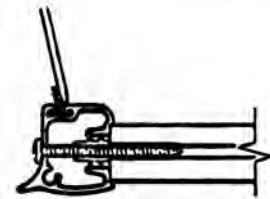


FIGURE 7

#### 8. Adjust Dust Seal (optional)

If door is equipped with a dust seal, it must be adjusted and trimmed to accommodate the location of the magnetic catch.



## SLIMFOLD® PRODUCTS LIMITED LIFETIME WARRANTY

Slimfold® Products Division warrants to the purchaser that its products, when utilized for interior door use, will be free from defects in materials and workmanship for the life of the product.

Slimfold® Products manufactured with galvanized steel are additionally warranted against rusting for a period of one (1) year from the date of purchase, provided the finish has not been cut or abraded through the metal. Galvanized steel should be used where air has a high salt content or in locations with high humidity.

This warranty is applicable only when the products covered by it have been installed in accordance with the recommended written installation instructions of Slimfold® Products Division and with established building practices, have been accorded treatment which is considered good practice in the building industry regarding storage and maintenance, and have been subjected only to normal use. Because Slimfold® Products Division cannot control the manner in which its products are handled after leaving its premises, this warranty does not apply to the finish or other damage occurring during shipment.

**There are no warranties, express or implied, which extend beyond the description on the face hereof, including the implied warranty of merchantability and the implied warranty of fitness for a particular purpose.**

Some states do not allow limitations on how long an implied warranty lasts, so the above limitation may not apply in some cases.

In the event the original consumer purchaser of any Slimfold® product believes that the door or any parts thereof covered by this warranty is defective, a letter outlining the alleged defect should be sent postage prepaid to the following address:

**Slimfold® Products Division  
PO Box 8577  
Dothan, AL 36304-0577**

Any Slimfold® Products part covered by this warranty which, upon inspection by an authorized representative of Slimfold® Products Division, are found by said representative to be defective, will be repaired or replaced at the option of Slimfold® Products Division. The purchase price of the part will be refunded and does not include labor, installation costs, finishing costs, or indirect or consequential damages of any nature. Some states do not allow the exclusion or limitation of incidental or consequential damages, so the above limitation or exclusion may not apply to you.

This warranty bestows certain legal rights, and you may also have other rights which vary from state to state.

### CARING FOR YOUR SLIMFOLD DOOR KEEP TRACK FREE OF DIRT AND PAINT

#### Steel Bifolds

Clean steel surface with a soft cloth using a mild detergent and water. Do not use harsh cleaners or abrasive.

#### Mirrors

- Clean mirror surface with clean, warm water or approved glass cleaner. Do not use any acid or alkali cleaners or cleaners with ammonia base. They will attack front surface, edges and backing of glass.
- Use a clean, soft cloth when cleaning to avoid scratching mirror surface.
- Never spray any cleaner directly on to the mirror. Apply to cloth first, then wipe mirror.
- Be sure to dry all edges thoroughly.



1101 Technology Drive | Dothan, Alabama 36303  
800.633.7553 | 334.794.9184 fax  
www.dunbarton.com | sales@dunbarton.com



Scan to go directly  
to Installation Videos  
Web Page.

SF403 SlimFold 4100 Overlay Installation